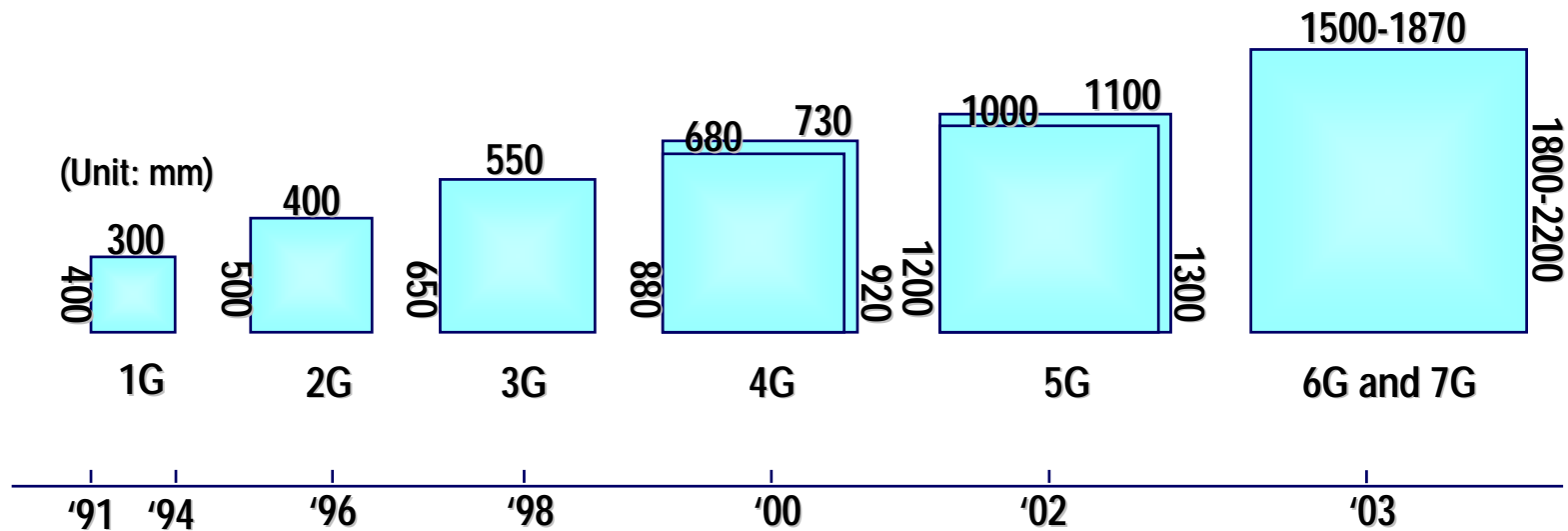




## TFT glass substrates - Market trend -

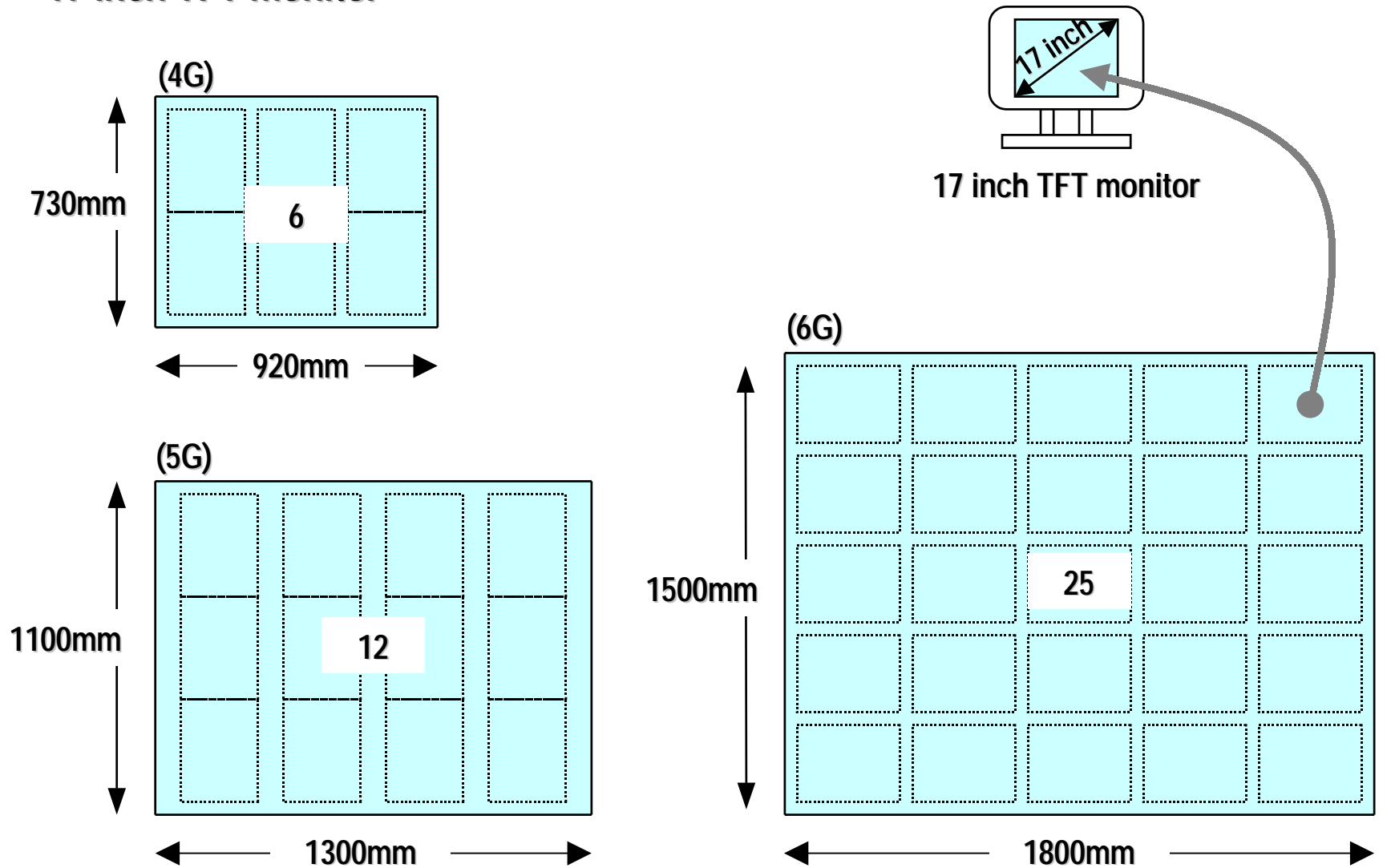
- Size of TFT glass substrates becomes larger year by year.
- From 2003, demand of 5G glass substrates is vigorously growing and these circumstances provide advantages for AGC that has adopted float process, which is better suited for manufacturing large-sized substrates.





# Number of glass substrates for TFT panel produced from one large-sized glass sheet(1)

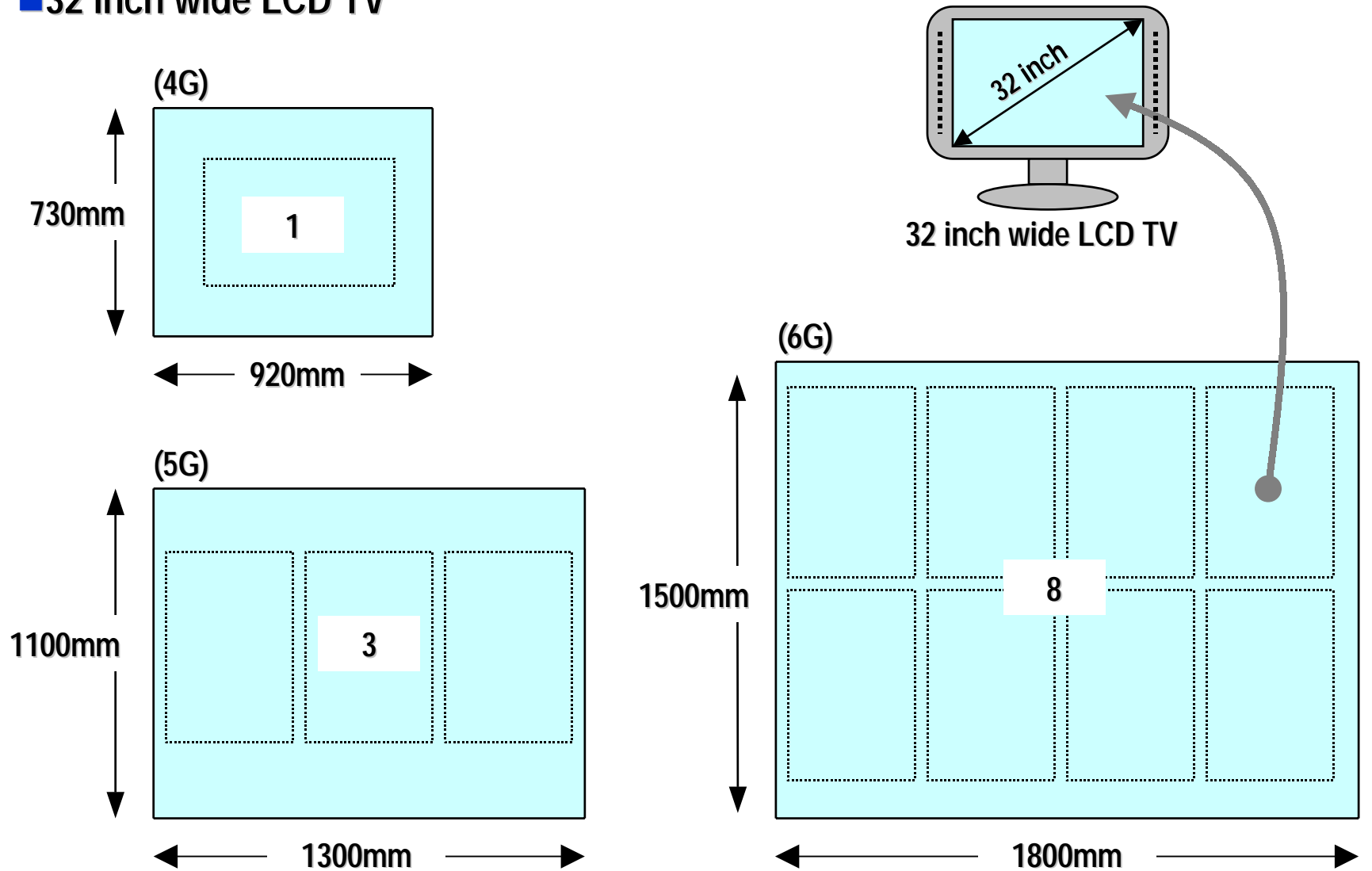
## ■ 17 inch TFT monitor





# Number of glass substrates for TFT panel produced from one large-sized glass sheet(2)

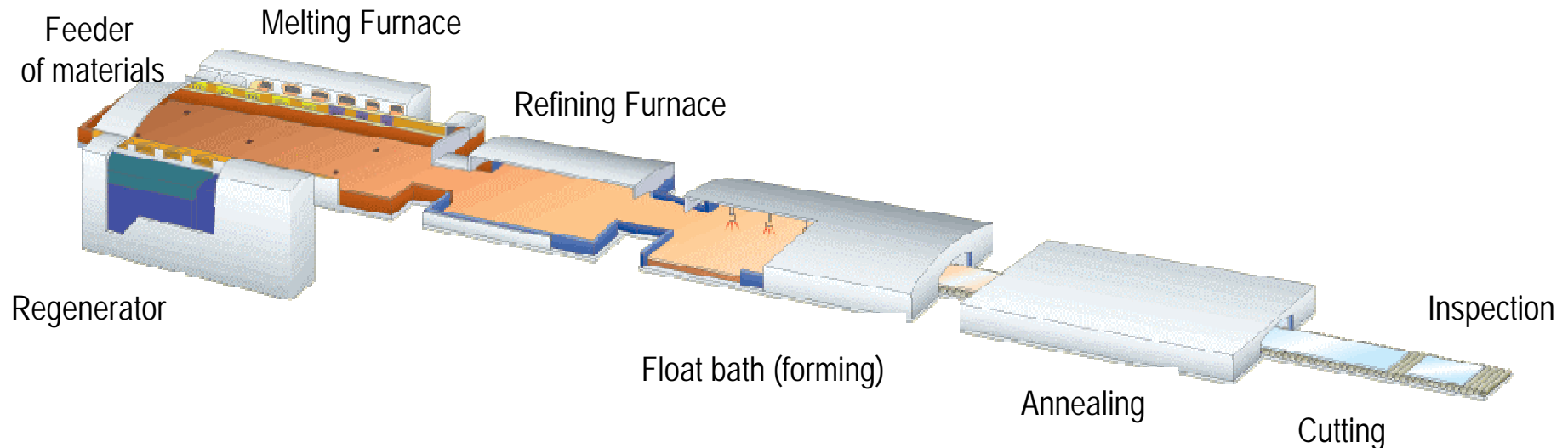
## ■ 32 inch wide LCD TV





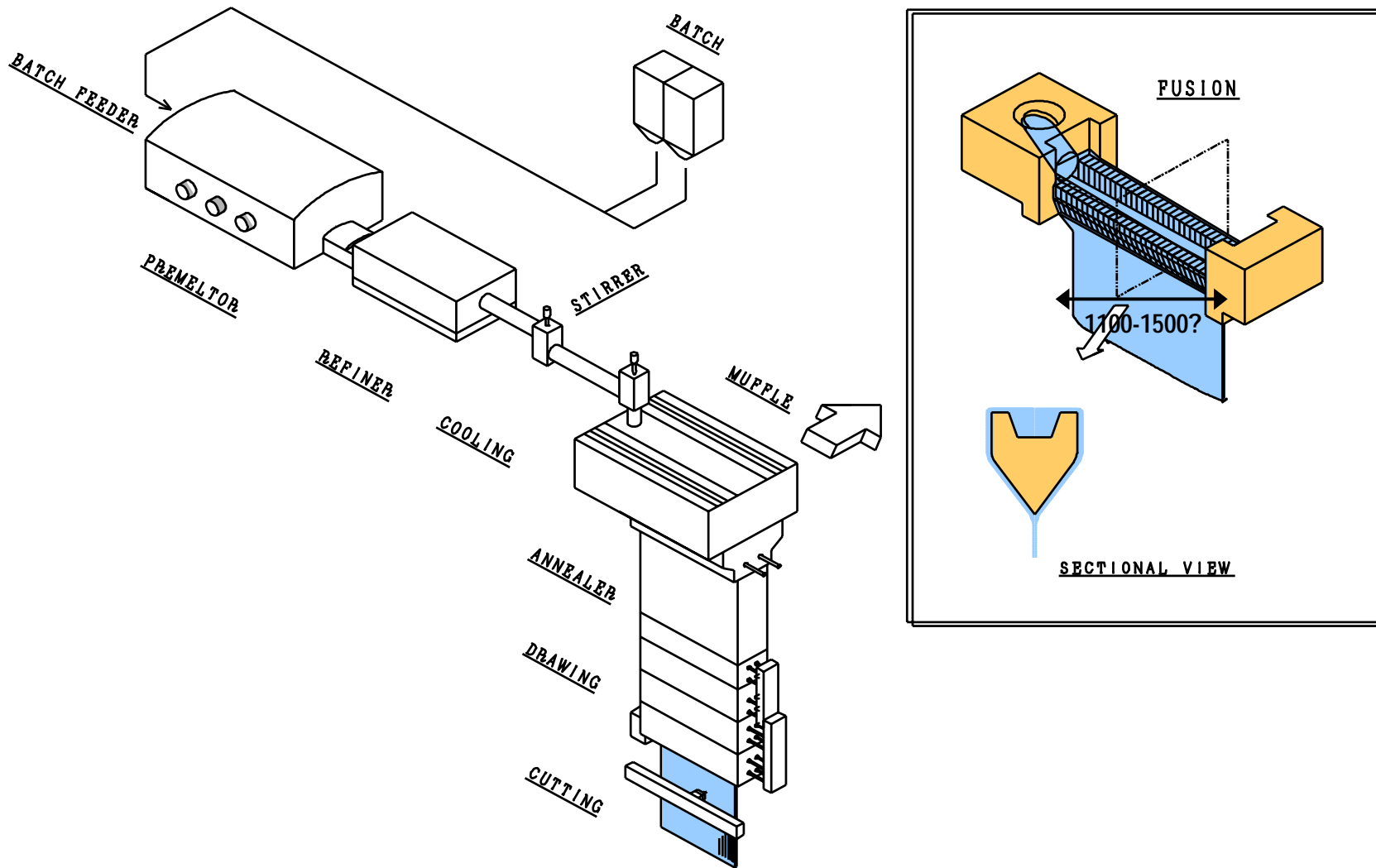
## AGC's production method of TFT glass substrates - Float process -

- The float process is a horizontal drawing manufacturing process with a large capacity furnace. Therefore the method is suited for producing wider flat glass.
- Optimal process for large size TFT glass substrates.





# Production method of TFT glass substrates - Fusion method -





## Advantage of float process - Effective width -

- Float process has more effective width and can process more large glass substrates.

